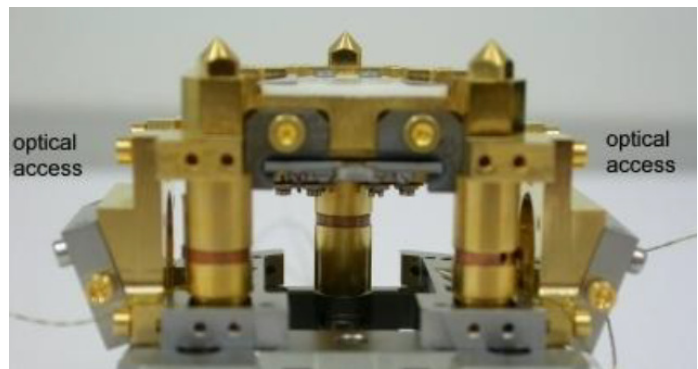
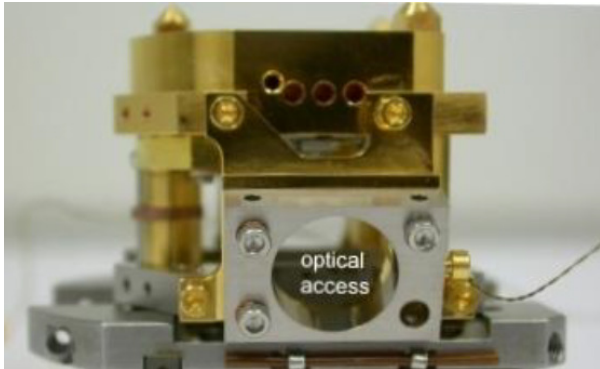
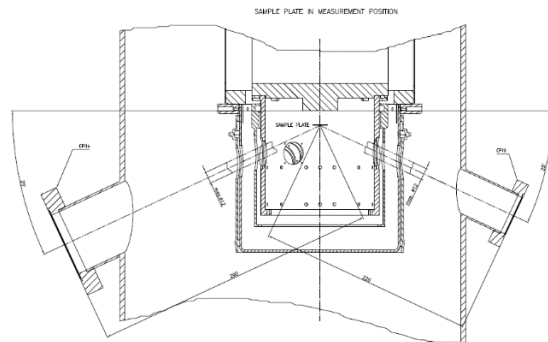


LT-SPM holder for optical elements

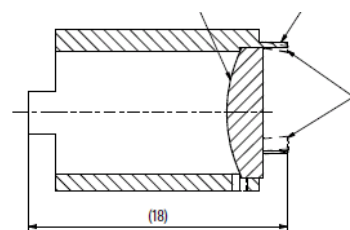
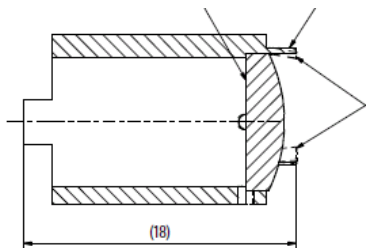
Optical access to sample surface during measurement



- 2 optical access points at 90° and 270° with respect to the wobblestick axis. The tilt angle towards the sample face is 25°



- Lens holders for variable lens configurations available (e.g. confocal lens system)



Summary

Parts needed:

- Holder for optical elements
- Lensholder
- Windows for thermal shields (LHe & LN cups)

Requirements:

- Recent LT-SPM with preinstalled mounting base for optic elements

Limitations:

- Limited functionality TBC: evaporator, long focus microscope, tip transfer monitoring

Options:

- Different lens configurations